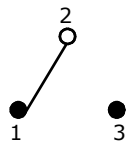


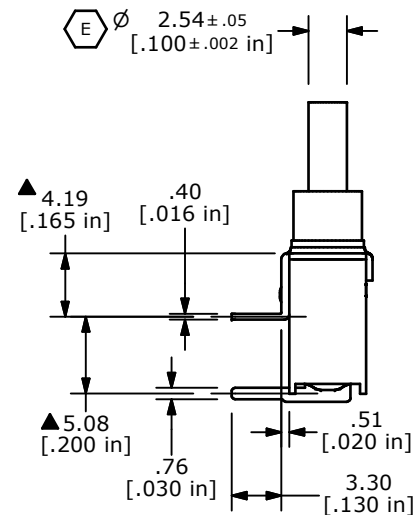
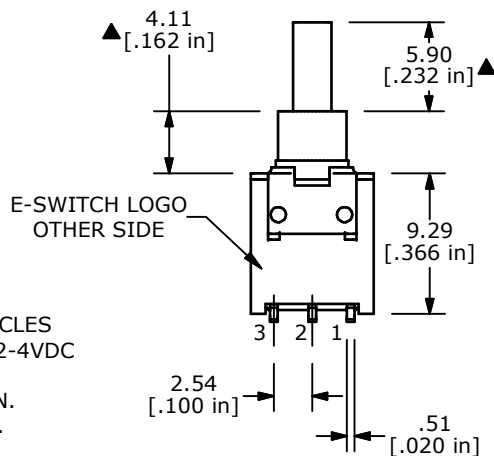
ISOMETRIC

| SWITCH FUNCTION |        |
|-----------------|--------|
| POS. 1          | POS. 2 |
|                 |        |
| ON              | (ON)   |
| 2-1             | 2-3    |



CIRCUIT

(ON)=MOMENTARY



NOTE:

1. ALL DIMENSIONS IN MM [INCH]
2. GENERAL TOLERANCE: X.X=±0.4  
X.XX=±0.25
3. TERMINAL NUMBERS FOR REF ONLY
- ▲ 4. CONTACT MATERIAL: COPPER ALLOY W/ GOLD PLATE OVER NICKEL PLATE
- ▲ 5. RATING: 0.4VA @ 20V AC OR DC MAX.
6. MECHANICAL LIFE: 50,000 MAKE-AND-BREAK CYCLES
7. CONTACT RESISTANCE: 20 mΩ MAX. INITIAL @ 2-4VDC  
100mA FOR BOTH GOLD AND SILVER CONTACTS
8. INSULATION RESISTANCE: 1,000 MEGA-OHM MIN.
9. ELECTRIC STRENGTH: 1,000 V RMS @SEA LEVEL.
10. PERATING TEMP.: -30°C to 85°C
11. ▲ DENOTES CRITICAL PARAMETER.
12. 2002/95/EC (ROHS) COMPLIANT



|     |        |                           |          |     |
|-----|--------|---------------------------|----------|-----|
| D   | 20053  | UPDATE DRAWING            | 07/11/11 | BMA |
| C   | 14943  | ADDED TERM NUMBERS, NOTES | 11/29/06 | TN  |
| REV | PCR NO | DESCRIPTION               | DATE     | BY  |

|                    |            |    |         |     |
|--------------------|------------|----|---------|-----|
| TITLE 800AWSP8M6RE |            |    |         |     |
| SCALE              | DATE       | DR | DWG     | REV |
| 2:1                | 11/19/2006 | MM | T833027 | D   |

THE INFORMATION CONTAINED IN THIS DOCUMENT IS PROPRIETARY TO E-SWITCH AND IS NOT TO BE COPIED OR TRANSFERRED